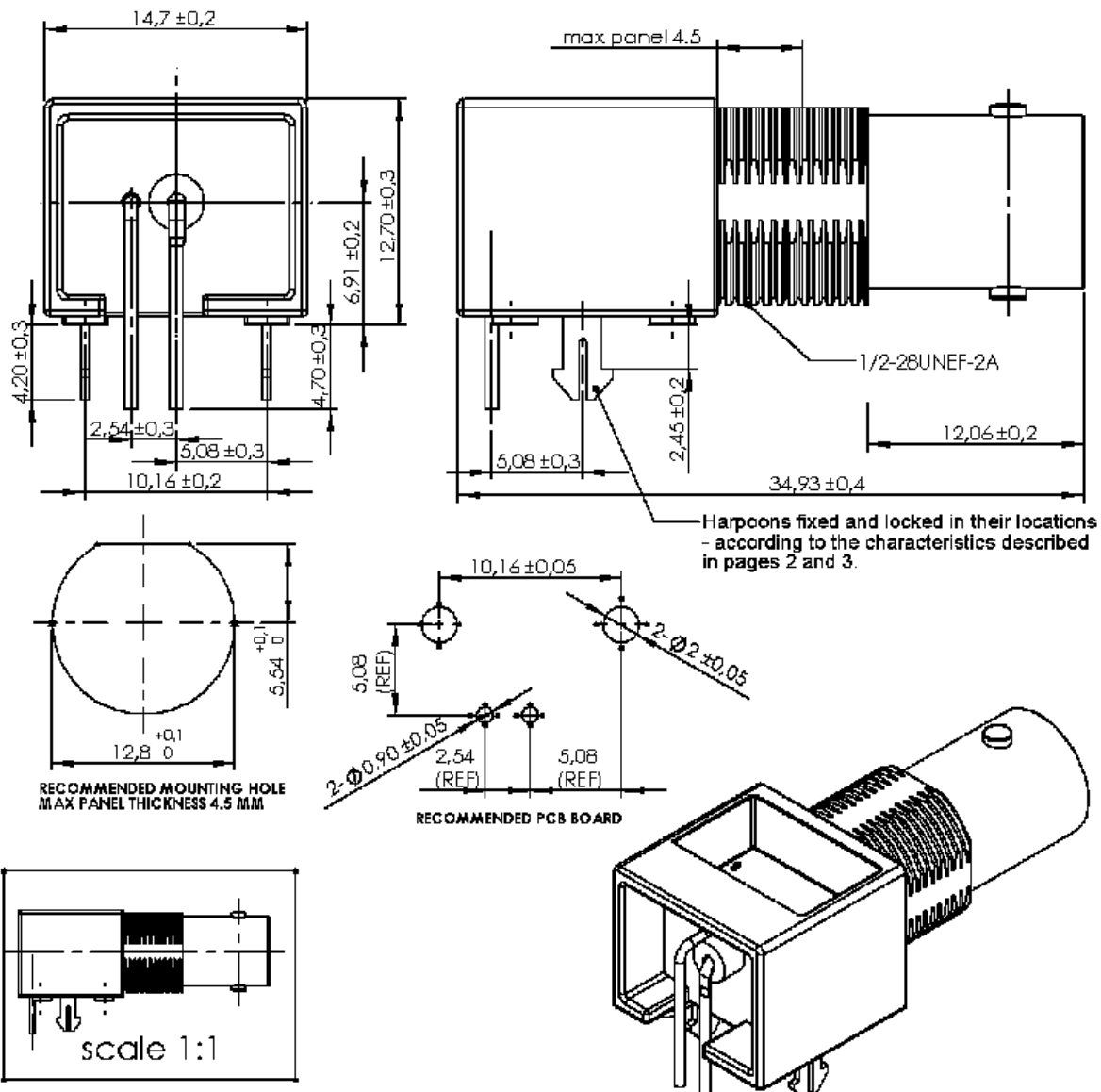


**RIGHT ANGLE RECEPTACLE FOR PCB
WITH HARPOON LEGS**

R142.676.430

Series : BNC 75



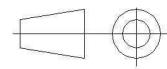
Harpoons fixed and locked in their locations - according to the characteristics described in pages 2 and 3.

RECOMMENDED MOUNTING HOLE
MAX PANEL THICKNESS 4.5 MM

RECOMMENDED PCB BOARD

scale 1:1

All dimensions are in mm.



COMPONENTS	MATERIALS	PLATING (µm)
BODY	ZAMAK	NICKEL .
CENTER CONTACT	BRONZE	GOLD OVER NICKEL
OUTER CONTACT		
INSULATOR	PTFE	
GASKET		
OTHERS PARTS	BRONZE	TIN NICKEL
-	-	-
-	-	-

Issue : 1014 C

In the effort to improve our products, we reserve the right to make changes judged to be necessary.



**RIGHT ANGLE RECEPTACLE FOR PCB
WITH HARPOON LEGS**

R142.676.430

Series : **BNC 75**

PACKAGING

Standard	Unit	Other
100	'W' option	Contact us

SPECIFICATION

ELECTRICAL CHARACTERISTICS

Impedance	75	Ω
Frequency	1	GHz
VSWR	1.3 + 0,0000	x F(GHz) Maxi
Insertion loss	0.2	$\sqrt{F(GHz)}$ dB Maxi
RF leakage	- (NA)	- F(GHz)) dB Maxi
Voltage rating	500	Veff Maxi
Dielectric withstanding voltage	1500	Veff mini
Insulation resistance	5000	M Ω mini

ENVIRONMENTAL

Operating temperature	-65/+165	$^{\circ}$ C
Hermetic seal	NA	Atm.cm3/s
Panel leakage	NA	

OTHER CHARACTERISTICS

Assembly instruction

Others :

F1 : Withdrawal Force/2 harpoons pegs (retention force for between connector and PCB before soldering) :
20N/2 harpoons pegs min.

F2 : Push Force/2 harpoons pegs (before soldering) :
75N/2 harpoons pegs min.

F3 : Pull of force harpoon peg from connector body :
(**before and after soldering**)
80N/harpoon peg min.
Retention force body/2 harpoons pegs = 160N min.

MECHANICAL CHARACTERISTICS

Center contact retention		
Axial force – Mating end	27	N mini
Axial force – Opposite end	27	N mini
Torque	2.8	N.cm mini
Recommended torque		
Mating	NA	N.cm
Panel nut	NA	N.cm
Mating life	500	Cycles mini
Weight	18,6780	g

Issue : 1014 C

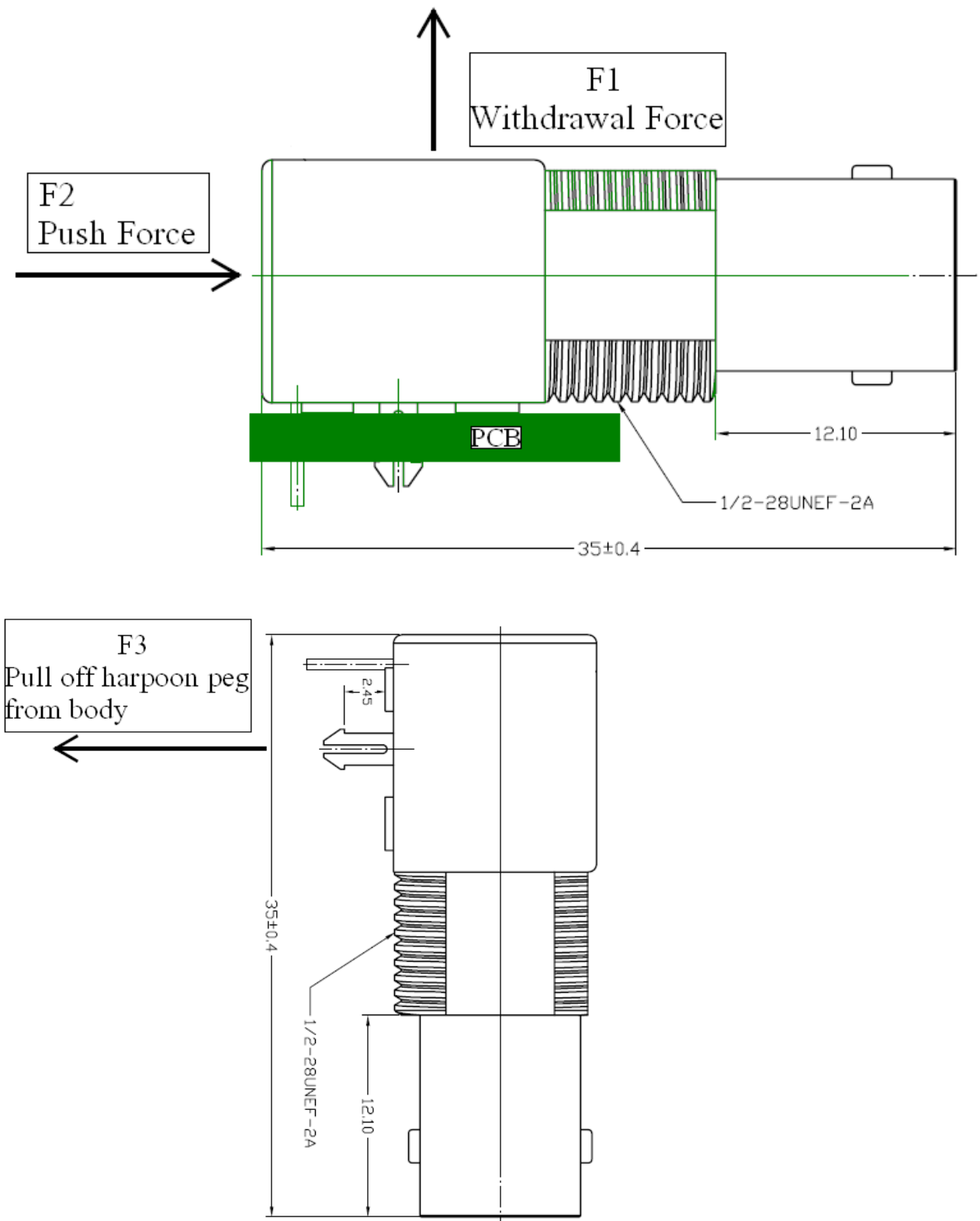
In the effort to improve our products, we reserve the right to make changes judged to be necessary.



**RIGHT ANGLE RECEPTACLE FOR PCB
WITH HARPOON LEGS**

R142.676.430

Series : BNC 75



Issue : 1014 C

In the effort to improve our products, we reserve the right to make changes judged to be necessary.